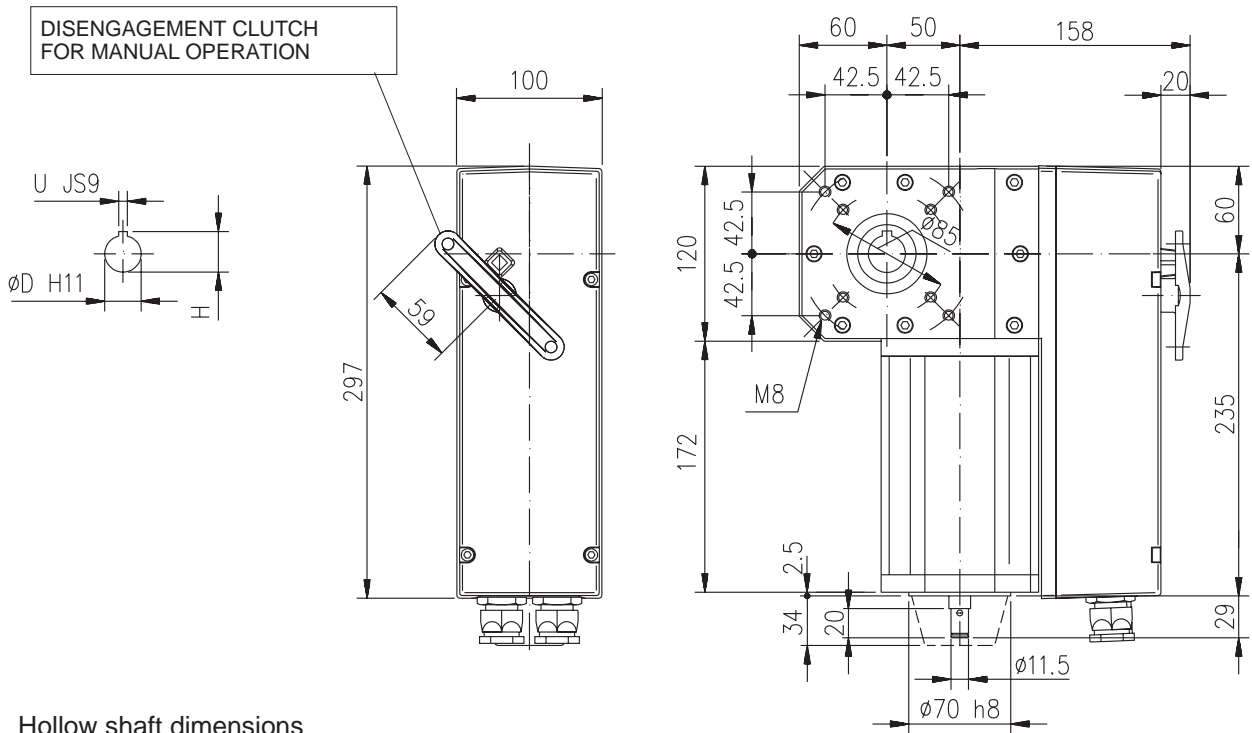


DOOR OPERATOR

# TEMEC KVRF(O) 5 M

## 50WK/7803



Hollow shaft dimensions

D/mm	U/mm	H/mm
20	6	22.8
25	6	27.8
25.4	6.35	28.45
28	8	31.3

Transmission ratios of limit switches	
Transmission ratio	Max. number of revolutions of the output shaft
14:1	12,5
25:1	22,5
38:1	33,5

Gear KV			3~400/230 V Motor M 7803				
RPM	Transmission ratio i	Nominal torque <sup>*)</sup> Nm	Effect kW	RPM	Current A	S3 %	Thermal relay setting A
22	62:1	94	0,5	1250	1,9/3,3	15	≤ 1,9/3,3
30	45:1	77					

\*)Starting torque = 1.7 x Nominal torque



Box 10 • FIN-00761 HELSINKI • FINLAND  
Tel: +358-9-350 8050 • Fax: +358-9-350 80550