



DALMATIC DOOR CONTROL V.3E.2

Compact door control unit prepared for electronic limits (Dall or Kostal encoder), 230/400 Volt
 Force control single turn and multi turn, Photo input with test function before every closing
 Plug in terminals for push buttons UP-STOP-DOWN with LED indicators,
 6-pole DIL switches for programming, 3 NC STOP terminals.
 Optical safety edge with small additional PCB

RELATED PRODUCTS



Dall door operator DA 90NM 24HE



Dalmatic enclosure 293x190x100 mm



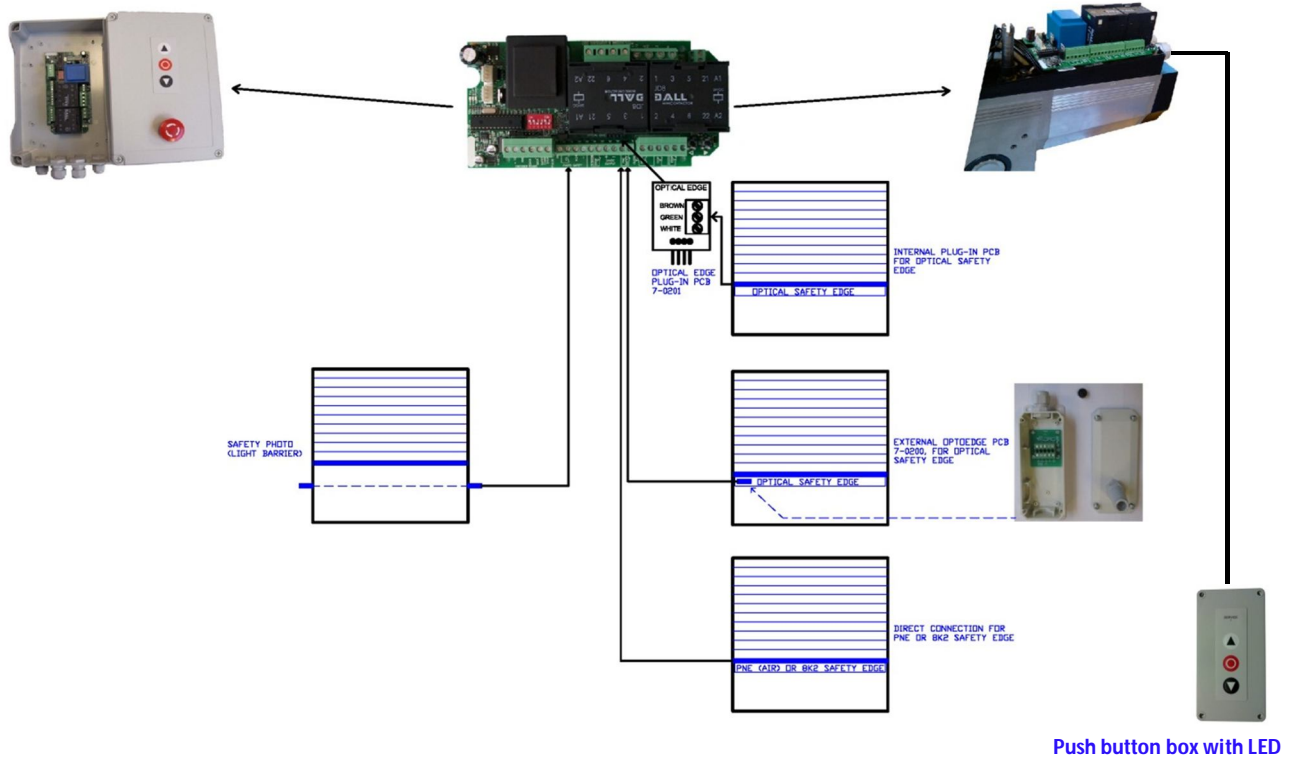
Dalmatic self-contained sensors



Plug in cables in different lengths

PCB LAYOUT

V3E.2 OVERVIEW



Drawing No 4-004

V3E.2 PCB 7-0108, R0911

