

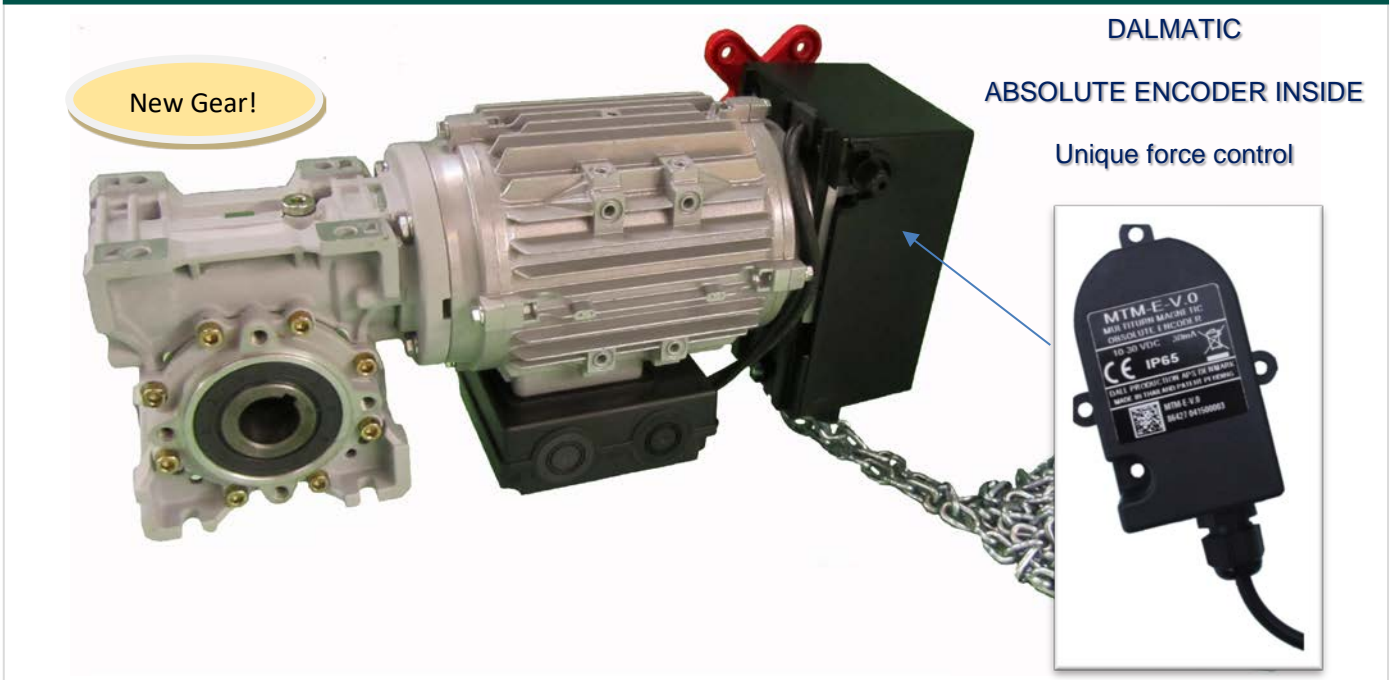
STRONG DESIGN

LOW NOISE

ENCODER

HANDCHAIN

PLUG IN CABLES



## DALL DOOR OPERATOR

**Standard door operator for sectional doors.** Standard gearmotor for industrial sectional doors. Absolute multi turn encoder for digital limits, and with built-in force control. Electronic casing is ready with pcb for plug-in cables in various lengths. For manual operation the solid chain hoist is applied. Can be supplied in 2 versions

Type	Torque (NM)	KW	RPM	Shaft (mm)	Max door Weight (kg)
90 Nm 24 HE	90	0,37	24	25,40	400
140 Nm 17 HE	140	0,37	17	31,75	500

### RELATED PRODUCTS



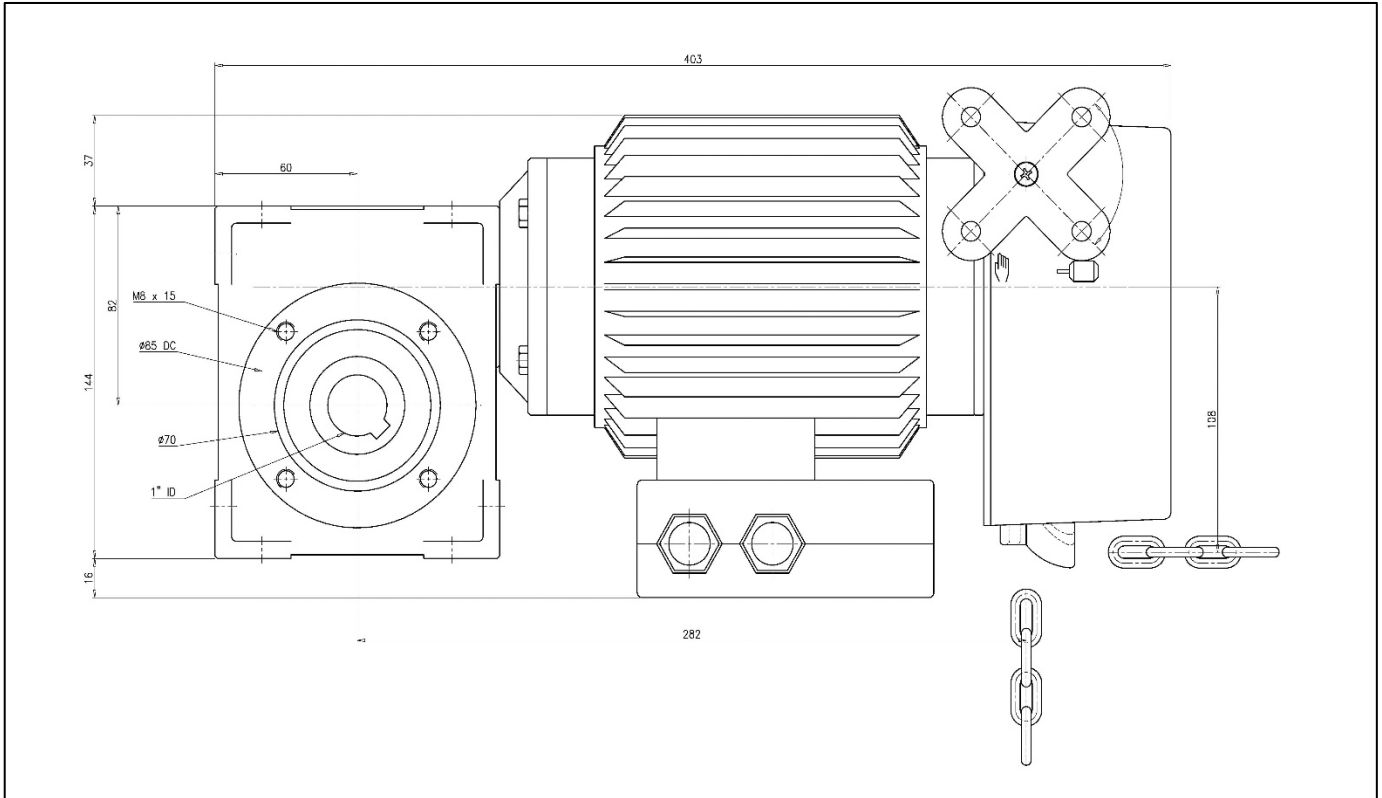
Dalmatic door control: V.7E SR (TÜV certified)

And LCC V3D



Plug in cables in various length.

DIMENSIONS 90 NM 24 HE GEARMOTOR



TECH. SPECIFICATION

Type	90 Nm 24 HE 25,4 mm SHAFT	140 Nm 17 HE 31,75 mm SHAFT
Voltage	3x230/400V	3x230/400V
Frequency (Hz)	50	50
Size	0,37 Kw	0,37 Kw
Motor O/mim	1380	1380
Thermo Klixon	130°	130°
Gear size	050	063
Gear Ratio	1:60	1:80
Output O/min	24	17
Torque (NM)	90	140
Shaft (mm)	25,4	31,75
Key (mm)	6,35	6,35
Man. operation	Hand chain	Hand chain
Enclosure	IP 55	IP 55