

LOW SIDES      PUNCH HOLES      HINGES      UNIVERSAL



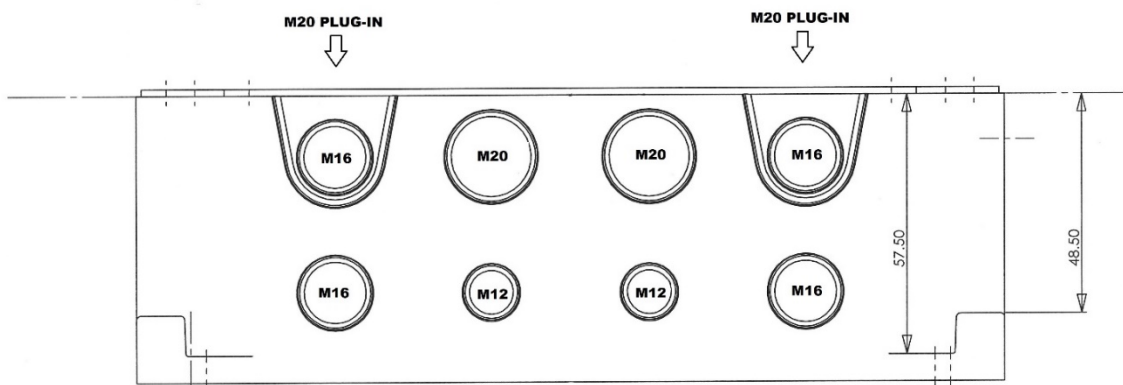
## DALMATIC ABS ENCLOSURE

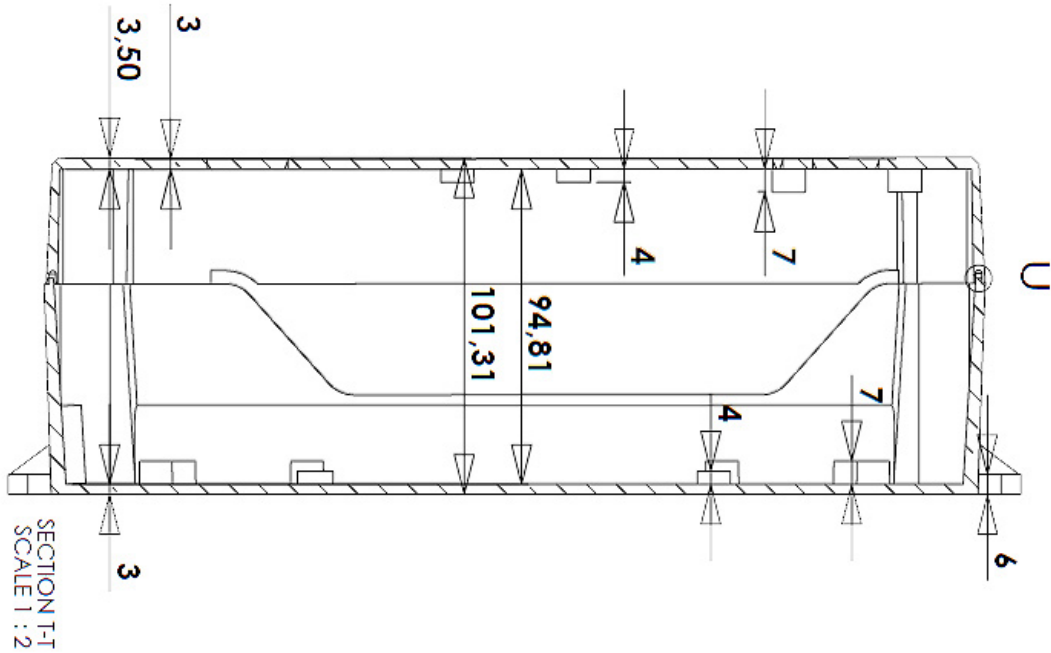
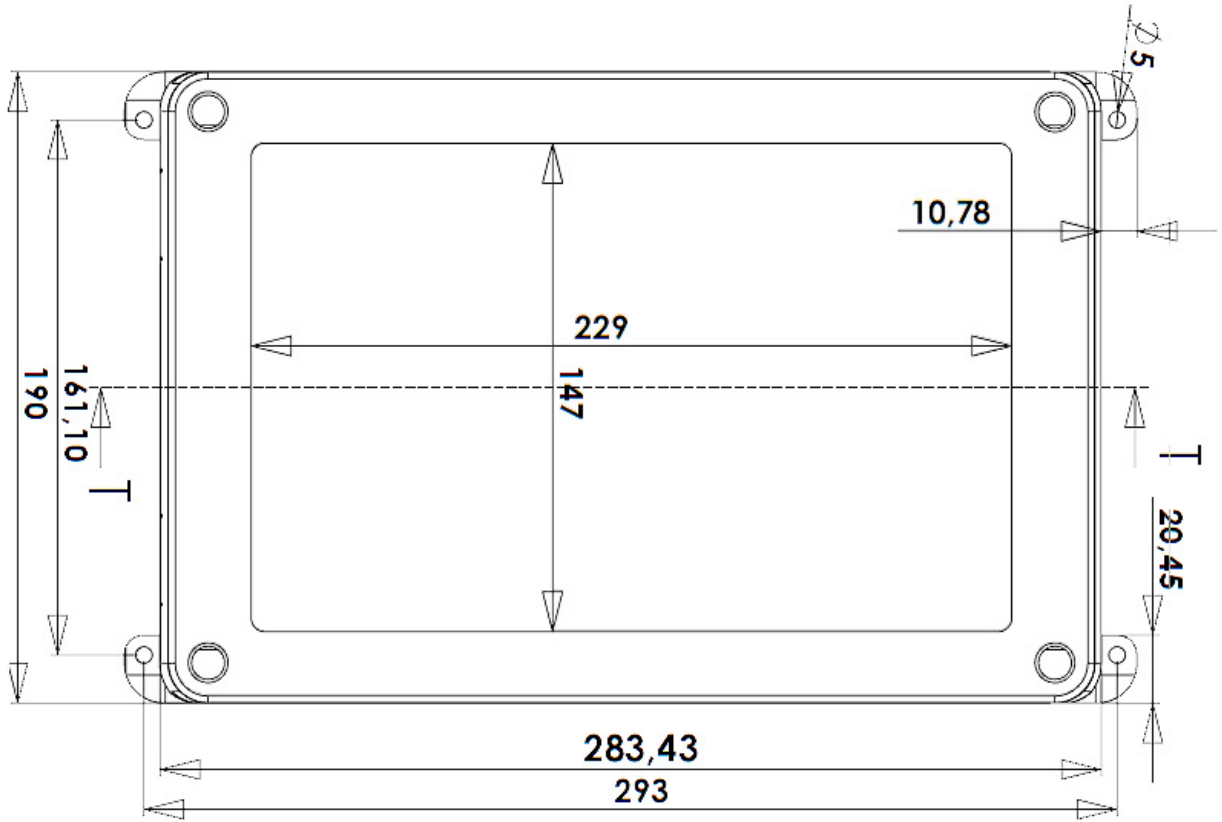


<b>Dimensions</b>	<b>293 x 190 x 100 mm</b>
<b>Material</b>	<b>ABS (J01)</b>
<b>Protection category</b>	<b>IP65</b>
<b>Knock out holes</b>	<b>2xM12 2xM16 2xM20 2xM20 / plug-in cable glands</b>
<b>Color</b>	<b>RAL 9011</b>
<b>Article number</b>	<b>60000300</b>

The enclosure has low sides to ease inside mounting, and easy fixture to the wall with four external holes. Including hinges.

The Dalmatic enclosure is suitable for every control unit from Dalmatic.





DETAIL U  
SCALE 5 : 1

SECTION T-T  
SCALE 1 : 2