

LOW SIDES PUNCH HOLES HINGES UNIVERSAL



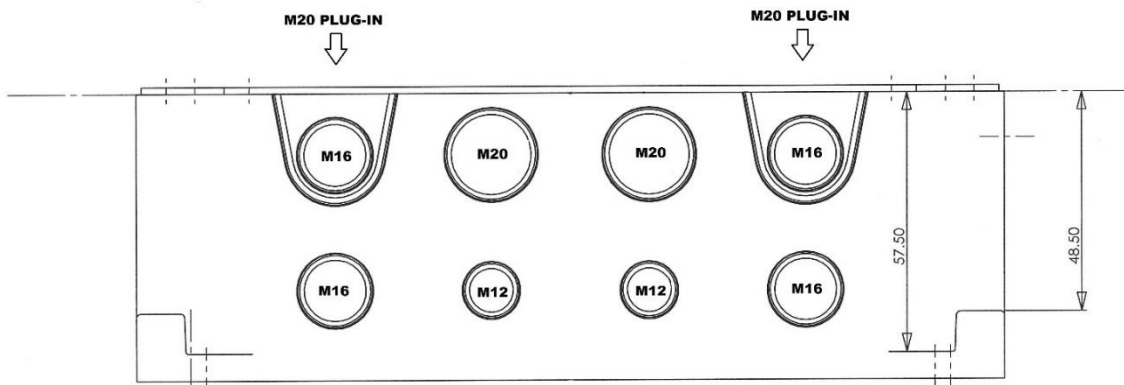
DALMATIC ABS ENCLOSURE

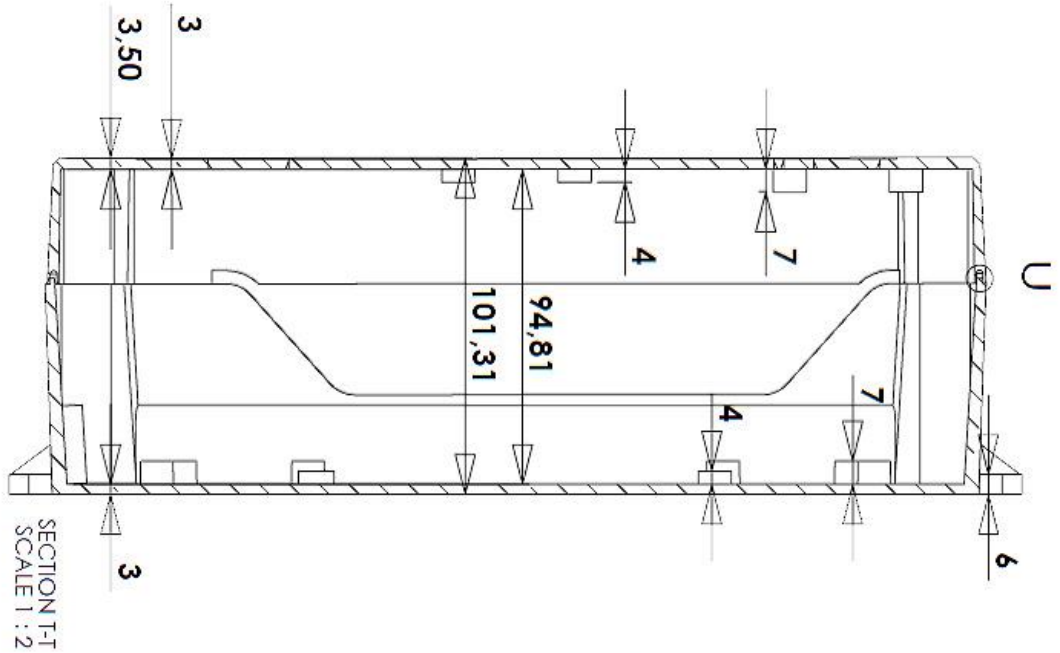
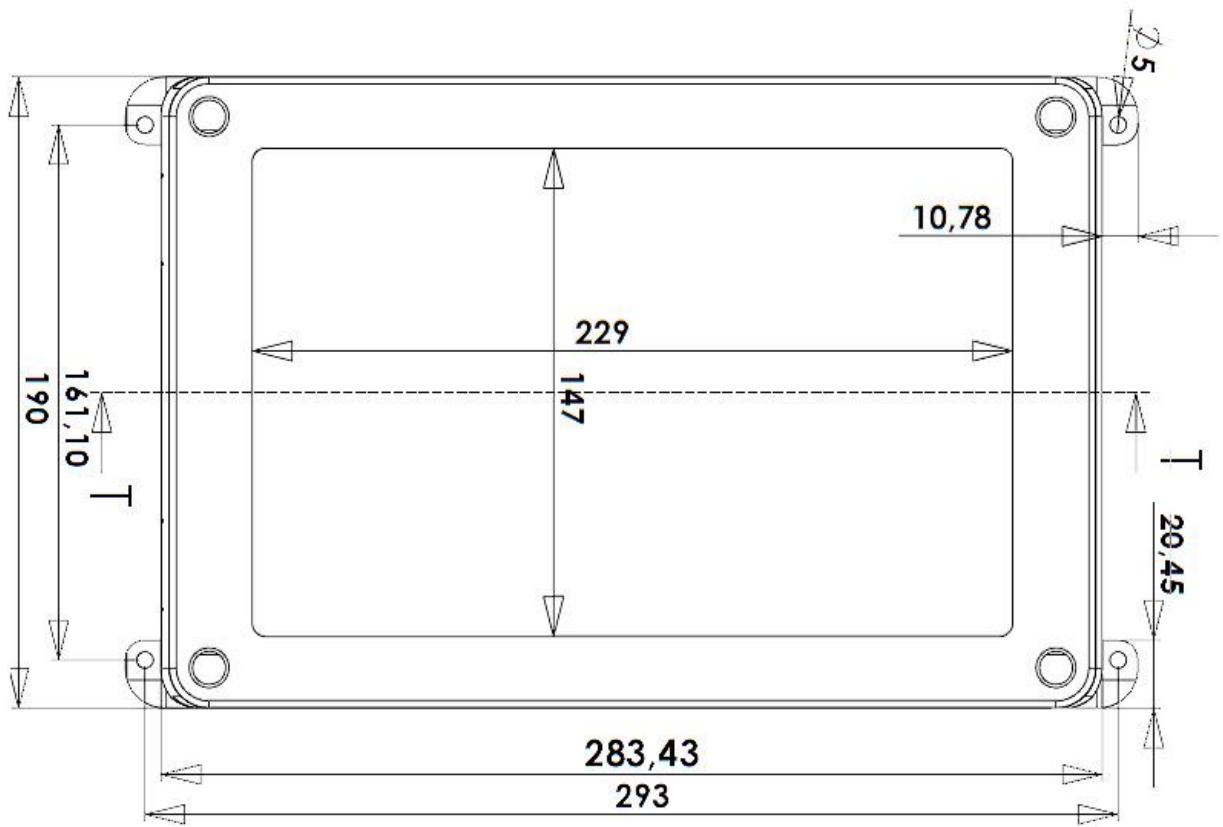


Dimensions	293 x 190 x 100 mm
Material	ABS (J01)
Protection category	IP65
Knock out holes	2xM12 2xM16 2xM20 2xM20 / plug-in cable glands
Color	RAL 7035
Article number	60000300

The enclosure has low sides to ease inside mounting, and easy fixture to the wall with four external holes. Including hinges.

The Dalmatic enclosure is suitable for every control unit from Dalmatic.





DETAIL U
SCALE 5 : 1